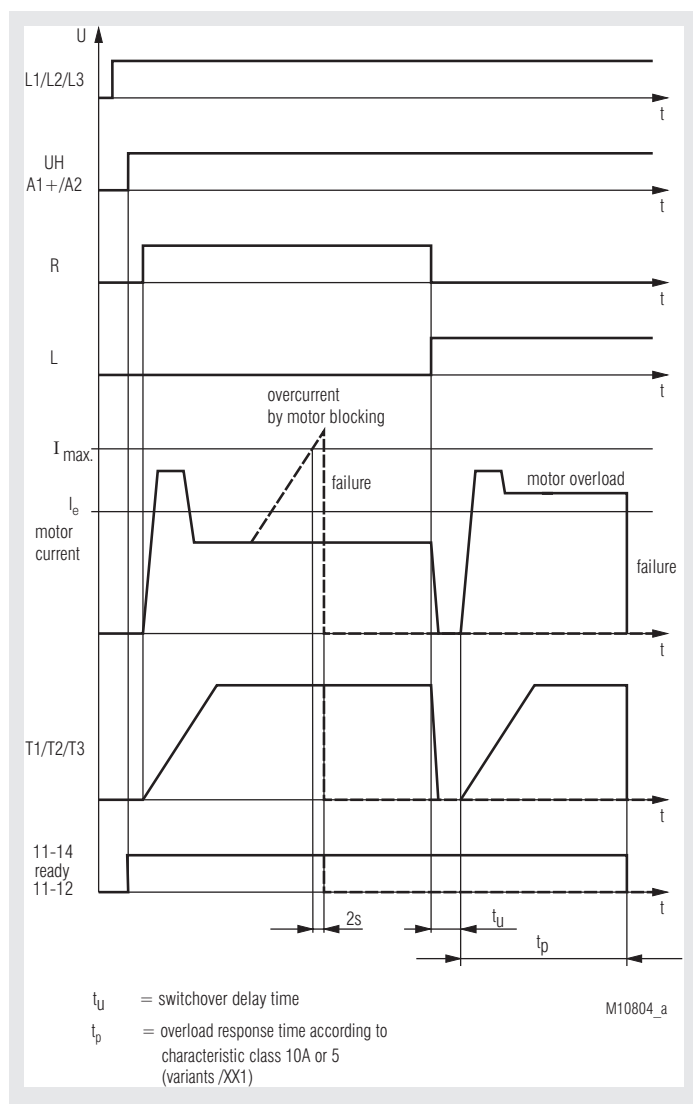




Product Description

The smart motorstarter function is a softstart, reversal and protection of 3-phase asynchronous motors. Overcurrent is detected when the set current is exceeded longer than 2 sec. Direction reversal takes place via relay switching. The relays are de-energised at this. This ensures a long service life.

Function Diagram



Your Advantages

- Up to 6 function in one unit
 - Reversing anticlockwise
 - Reversing clockwise
 - Softstart
 - Softstop
 - Current monitoring or motor protection
 - Galvanic separation via forcibly guided contacts contact distance min. 0.5 mm
- 80 % less space
- Simple and time-saving commissioning as well as user-friendly operation through setting via potentiometers on absolute scales
- Blocking protection
- Hybrid relay combines benefits of relay technology with non-wearing semiconductor technology
- High availability by
 - Temperature monitoring of semiconductors
 - High withstand voltage up to 1500 V
 - Load free relay reversing function
- As option with disabling current monitoring

Features

- According to IEC/EN 60947-4-2
- To reverse 3 phase motors from 90 W to 750 W resp. 550 W to 4 kW at AC 400 V
- 2-phase softstart
- Max. 4 potentiometer für setting of starting torque, deceleration torque, softstart /-stop, overcurrent limit or rated motor current
- 4 LEDs for status indication
- Reversing with relays without current, softstart, softstop with thyristor
- Galvanic separated 24V-inputs for clockwise- and anticlockwise
- Reset button on front
- Connection facility for external reset button
- Relay indicator output for operation
- Indicator output at customers specification (on request)
- Galvanic separation between control circuit and power circuit
- Width: 22.5 mm

Approvals and Markings

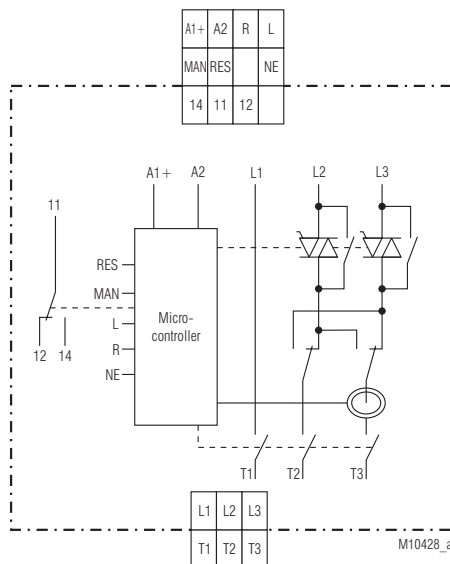


*) see variants

Applications

- Reversing operation for door and gate controls, bridge drives and lifting applications with monitoring of blockage
- Conveyor systems with monitoring of blockage
- Actuating drives in process controls with blockage monitoring

Circuit Diagram



Connection Terminals	
Terminal designation	Signal description
A1 (+)	Auxiliary voltage + DC 24 V
A2	Auxiliary voltage 0 V
R+	Control input clockwise
L+	Control input anti-clockwise
NE	Earth connection control input
MAN	Input for remote reset
RES	Output for remote reset
11, 12, 14	Indicator relay for operation
L1	Phase voltage L1
L2	Phase voltage L2
L3	Phase voltage L3
T1	Motor connection T1
T2	Motor connection T2
T3	Motor connection T3

Function

Soft start

Two motor phases are impacted through thyristor phase-fired control to allow a steady increase of the currents. The motor torque behaves in the same manner when ramping up. This ensures that the drive can start without jerking and the drive elements are not damaged. Starting time and starting torque can be adjusted via rotary switch.

Softstop (variant /1_ _)

The softstop function shall extend the natural running down time of the drive to also prevent jerky stopping.

The deceleration time is set with rotary switch t_{on} , the running-down torque with rotary switch M_{off} .

Motor protection (variant / _ _1)

The thermal load of the motor is calculated using a thermal model. The nominal motor current can be adjusted via potentiometer I_e . To calculate the thermal load the current is measured in phase T3.

A symmetric current load of all 3 phases of the motor is assumed for flawless functioning. When the trigger value – stored in the trigger characteristics –, is reached, the motor is switched off and the device switches to fault 8. The fault can be acknowledged via the reset button or reset input.

Attention: The data of the thermal model is cleared through reset or voltage failure. In this case, the user must provide adequate cooling time of the motor.



Phase failure

To make sure the motor is not loaded with asymmetric currents, a check takes place during motor start whether phases L1, L2 and L3 are present. If one or several phases are absent, the device switches to fault 4. The fault can be acknowledged via the reset button or reset input.

Motor current protection (variant /0_ _)

To ensure blocking protection is in place, the motor current is monitored in T3. The switching threshold can be adjusted via potentiometer I_{max} . In the event of overcurrent, the power semiconductors deactivate and the signal relay for normal operation is reset. The red "ERR" LED flashes code 5. This status is stored. The fault can be acknowledged by switching the auxiliary voltage off / on, operating the reset button or selecting the reset control input.

Motor connection (variant / _0_)

In off state or fault condition the motor terminals are isolated from the mains voltage by a 4 pole, forcibly guided contact relay. The contact opening is min. 0.5 mm.

Control inputs

Clockwise rotation and anticlockwise rotation can be selected via two control inputs. The input signal detected first is executed if both inputs are selected simultaneously. After the detected signal is cancelled, the rotational direction is reversed via the soft start function.

The control inputs have a common isolated ground connection NE.

Signalling output "Ready"

Contact 11/14 is closed if no device fault is present.

Indication

Green LED "ON":	Permanent on - Auxiliary supply connected
Yellow LED "R":	Permanent on - Clockwise, power semiconductors bridged
	Flashing - Clockwise, ramp operation
Yellow LED "L":	Permanent on - Anticlockwise, power semiconductors bridged
	Flashing - Anticlockwise, ramp operation
Red LED "ERROR":	Flashing - Error
	1*) - Overtemperature on semiconductors
	2*) - Wrong mains frequency
	3*) - Phase reversal detected
	4*) - Min. 1 phase is missing
	5*) - Motor overcurrent detected
	6*) - Mains isolating relay not disconnected
	7*) - Incorrect temperature measurement circuit
	8*) - Motor protection has responded

1*) - 8*) = Number of flashing pulses in sequence

Reset Function

2 options are available to acknowledge the fault

Manual (reset button):

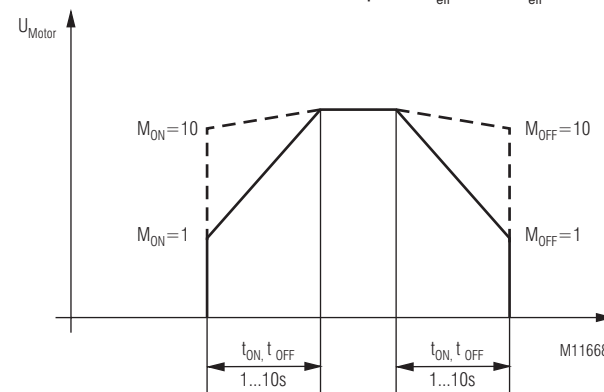
Acknowledgement is performed by operating the reset button at the front of the device. If the button is still actuated after 2 seconds, the device resumes the fault state.

Manual (remote acknowledgement):

Remote acknowledgement can be realised by connecting a button (N/O contact) between the terminals MAN and RES. Acknowledgement is triggered as soon as the contact of the button closes. If the button is still actuated after 2 seconds, the device resumes the fault state since a defect in the acknowledgement circuit cannot be ruled out.

Setting Facilities

Rotary switch M_{on} :	- Starting torque at softstart 30 ... 80 %
Rotary switch M_{off} (variant / 1_ _):	- Deceleration torque at softstop 80 ... 30 %
Rotary switch t_{on} / t_{off} :	- Start / deceleration ramp 1 ... 10 s
Rotary switch t_{on} / t_{off} (variant /2_ _):	- Start / deceleration ramp 0 ... 1 s
Rotary switch I_{max} (variant / _ _0):	- Motor current monitoring 3 ... 30 A_{eff} resp. 5 ... 50 A_{eff}
Rotary switch I_e (Variante / _ _1):	- Nom. motor current 0.5 A_{eff} ... 2.0 A_{eff} resp. 1.6 A_{eff} ... 9.0 A_{eff}



Setting of start / deceleration ramp

Set-up Procedure

1. Connect motor and device according to application example. A clockwise rotating field is assumed for operation. A anti-clockwise rotating field triggers a fault message.
2. Turn rotary switch t_{on} / t_{off} fully clockwise, M_{on} , e. g. M_{off} fully anticlockwise and rotary switch I_{max} , e. g. I_e of the required current.
3. Connect voltage and starting via input R- or softstop L-.
4. The starting time is set by turning the rotary switch t_{on} anti-clockwise and the starting torque is set by turning the rotary switch M_{on} clockwise to the desired value. If set correctly, the motor shall swiftly accelerate to the nominal speed.

Safety Notes

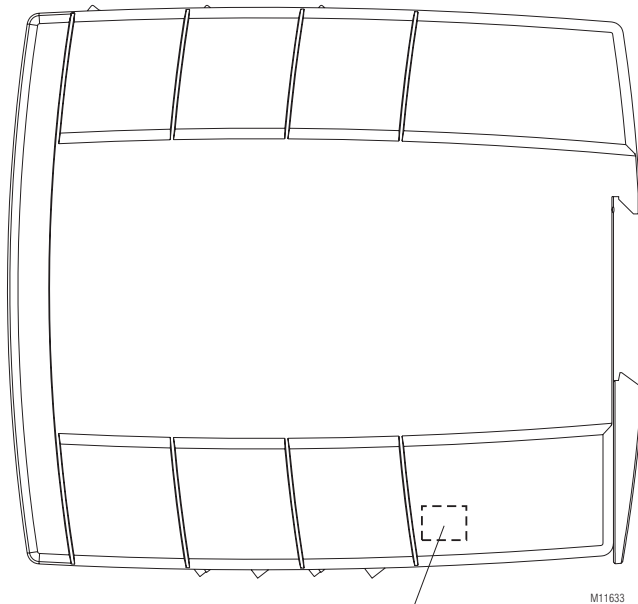
Attention !



- Never clear a fault when the device is switched on.
- The user must ensure that the device and the necessary component are mounted and connected according to the locally applicable regulations and technical standards (VDE, TÜV, BG)
- Adjustments may only be carried out by qualified specialist staff and the applicable safety rules must be observed.
- After a short circuit the motor starter is defective and has to be replaced (Assignment type 1).
- Group supply:
- If several motor starters are protected together, the sum of the motor currents must not exceed 25 A.
- For reliable operation the auxiliary supply DC 24 V has to be continuously available during operation and should only be switched off not before 1 sec after the load voltage has been disconnected. Voltage dips of the auxiliary supply with load on Output T1, T2, T3 can lead to higher wearing of the relays or even to damage of the device.

Mounting Notes

The phase current in the device is measured with a hall effect sensor. Due to this principle also magnetic fields next to the sensor may have an influence. When designing circuits with this motor starter components that generate magnetic fields like contactors, transformers, high current wires should not be placed close to the sensor.



position of the current sensor

Technical Data

	Rated current 2 A	Rated current 9 A
Nominal voltage L1/L2/L3:	3 AC 200 ... 480 V ± 10%	
Nominal frequency:	50 / 60 Hz, automatic detection	
Auxiliary voltage:	DC 24 V ± 10%	
Max. nominal motor power at AC 400 V:	0.75 kW	4 kW
Min. nominal motor power:	90 W	550 W
Operating mode:	AC 51 AC 53a: 6-2: 100-30 IEC/EN 60947-4-2	
Surge current:	200 A (tp = 20 ms)	
Load limit integral:	200 A²s (tp = 10 ms)	
Peak reverse voltage:	1500 V	
Overvoltage limiting:	AC 550 V	
Leakage current in off state:	< 3 x 0.5 mA	
Starting voltage:	30 ... 80 %	
Start / deceleration ramp:	1 ... 10 s	
Start / deceleration ramp variant /2 __; /3 __:	0 ... 1 s	
Consumption:	2 W	
Switchover delay time:	250 ms	
Start up delay for master tick:	Max. 100 ms	
Release delay for master tick:	Max. 50 ms	
Overcurrent measuring device:	AC 1 ... 12 A at variant /__0	AC 5 ... 50 A at variant /__0
I_e nominal motor current:	0.5 A ... 2.0 A at variant /__1	1.6 A ... 9.0 A at variant /__1
Measuring accuracy:	± 5% of end of scale value	
Measured value update time		
at 50 Hz:	100 ms	
at 60 Hz:	83 ms	
Motor protection		
I _e 0.5 A to 2.0 A:	Class 10 A, 10	-
I _e 1.5 A to 6.8 A:	-	Class 10 A
I _e 6.9 A to 9.0 A:	-	Class 5
Electronically, without thermal memory		
Reset:	Manual	
Short circuit strength		
max. fuse rating:	25 A gG / gL IEC/EN 60 947-5-1	
Assignment type:	1	
Electrical life:	> 10 x 10 ⁶ switching cycles	

Inputs

Control input right, left:	DC 24V
Rated current:	4 mA
Response value ON:	DC 15 V ... 30 V
Response value OFF:	DC 0 V ... 5 V
Connection:	Polarity protected diode
Manuel:	DC 24 V (connect button on terminals "MAN" and "RES")
RES:	DC 24 V, semiconductor, short circuit proof, rated continuous current 0.2 A programmable at customers specification (on request)

Indicator Outputs

Ready:	Changeover contact 250 V / 5 A
Contact:	1 changeover contact
Switching capacity	
to AC 15	
NO contact:	3 A / AC 230 V IEC/EN 60947-5-1
NC contact:	1 A / AC 230 V IEC/EN 60947-5-1
Thermal current I_{th}:	5 A
Electrical life	
To AC 15 at 3 A, AC 230 V:	2 x 10 ⁵ switch. cycles IEC/EN 60947-5-1
Mechanical life:	30 x 10 ⁶ switching cycles
Permissible switching frequency:	1800 switching cycles/h
Short circuit strength	
Max. fuse rating:	4 A gG / gL IEC/EN 60947-5-1

Technical Data**General Data**

Device type:	Hybrid Motor Controller H1B	
Operating mode:	Continuous operation	
Temperature range:		
Operation:	0 ... + 60 °C (see derating curve)	
Storage:	- 25 ... + 75 °C	
Relative air humidity:	93 % at 40 °C	
Altitude:	< 1.000 m	
Clearance and creepage distances		
Rated insulation voltage:	500 V	
overvoltage category / contamination level between control input-, auxiliary voltage and Motor voltage respectively		
indicator contact:	4 kV / 2	IEC/EN 60664-1
Overvoltage category:	III	
EMC		
Interference resistance		
Electrostatic discharge (ESD):	8 kV (air)	IEC/EN 61000-4-2
HF-irradiation		
80 MHz ... 1.0 GHz:	10 V / m	IEC/EN 61000-4-3
1.0 GHz ... 2.5 GHz:	3 V / m	IEC/EN 61000-4-3
2.5 GHz ... 2.7 GHz:	1 V / m	IEC/EN 61000-4-3
Fast transients:	2 kV	IEC/EN 61000-4-4
Surge voltage between		
Wires for power supply:	1 kV	IEC/EN 61000-4-5
Between wire and ground:	2 kV	IEC/EN 61000-4-5
HF-wire guided:	10 V	IEC/EN 61000-4-6
Voltage dips:	IEC/EN 61000-4-11	
Interference emission		
Wire guided:	Limit value class B	IEC/EN 60947-4-2
Radio irradiation:	Limit value class B	IEC/EN 60947-4-2
Degree of protection:		
Housing:	IP 40	IEC/EN 60529
Terminals:	IP 20	IEC/EN 60529
Vibration resistance:	Amplitude 0.35 mm	
	frequency 10 ... 55 Hz,	IEC/EN 60068-2-6
	0 / 060 / 04	IEC/EN 60068-1
		DIN 46228-1/-2/-3/-4
Climate resistance:		
Wire connection:		
Screw terminal (fixed):		
Control terminals		
Cross section:	1 x 0.14 ... 2.5 mm ² solid or stranded wire with sleeve	
Power terminals		
Cross section:	1 x 0.25 ... 2.5 mm ² solid or stranded wire with sleeve	
Insulation of wires or sleeve length:	8 mm	
Fixing torque:	0.5 Nm	
Wire fixing:	captive slotted screw	
Mounting:	DIN rail	IEC/EN 60 715
Weight:	220 g	

Dimensions

Width x height x depth: 22.5 x 105 x 120.3 mm

UL-Data**Standards:****For all products:**

- U.S. National Standard UL508, 17th Edition
- Canadian National Standard - CAN/CSA-22.2 No. 14-13, 12th Edition

With restrictions at motor switching power:

- ANSI/UL 60947-1, 3rd Edition (Low-Voltage Switchgear and Controlgear Part1: General rules)
- ANSI/UL 60947-4-2, 1st Edition (Low-Voltage Switchgear and Controlgear Part 4-2: Contactors and Motor-Starters - AC Semiconductor Motor Controllers and Starters)
- CAN/CSA-C22.2 No. 60947-1-07, 1st Edition (Low-Voltage Switchgear and Controlgear - Part1: General rules)
- CSA-C22.2 No. 60947-4-2-14, 1st Edition (Low-Voltage Switchgear and Controlgear - Part 4-2: Contactors and Motor-Starters - AC Semiconductor Motor Controllers and Starters)

Motor data:**UL 508, CSA C22.2 No. 14-13****3 AC 200 ... 480 V,****3-phase, 50 / 60 Hz:**

Up to 7.6 FLA, 45.6 LRA at 40 °C

Up to 4.8 FLA, 28.8 LRA at 50 °C

Up to 2.1 FLA, 12.6 LRA at 60 °C

UL 60947-4-2, CSA 60947-4-2**3 AC 200 ... 300 V,****3-phase, 50 / 60 Hz:**

Up to 7.6 FLA, 45.6 LRA at 40 °C

Up to 4.8 FLA, 28.8 LRA at 50 °C

Up to 2.1 FLA, 12.6 LRA at 60 °C

3 AC 301 ... 480 V,**3-phase, 50 / 60 Hz:**

Up to 2.1 FLA, 12.6 LRA at 60 °C

Motor protectionI_e 1.5 A bis 6.8 A: Class 10 / 10 AI_e 6.9 A bis 9.0 A: Class 5

Electronically, without thermal memory

Reset: Manual

Indicator output relay:

5 A 240 V ac Resistive

Wire connection:

60 °C / 75 °C copper conductors only

Connections

A1+, A2, X1+, X2, MAN,

RES, NE, 11, 12, 14:

AWG 22 - 14 Sol/Str Torque

3.46 Lb-in (0.39 Nm)

L1, L2, L3, T1, T2, T3:

AWG 30 - 12 Str Torque 5-7 Lb-in

(0.564-0.79 Nm)

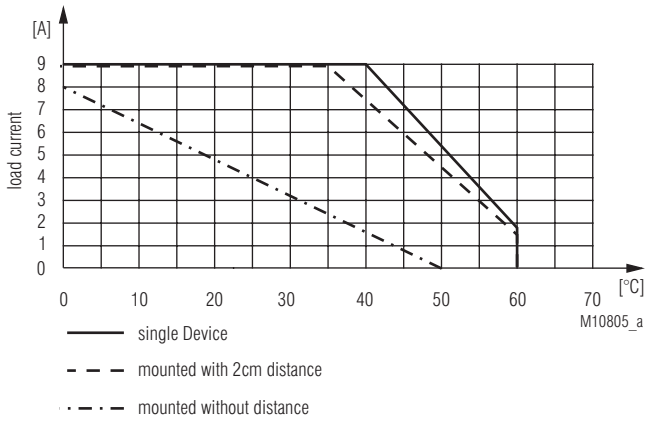
Additional Notes:

- This device is intended for use on supply systems with a maximum voltage from phase to ground of 300 V (e.g. for a three phase-four wire system 277/480 V or on a three phase-three wire systems of 240 V), rated impulse withstand voltage of max. 4 kV
- Suitable for use on a circuit capable of delivering not more than 5000 rms symmetrical Amperes, 480 Volts maximum when protected by class CC, J or RK5 fuse rated maximum 20 A
- For use in pollution degree 2 Environment or equivalent
- The control circuits of this device shall be supplied by an isolated 24 Vdc power supply which output is protected with a fuse rated max. 4 A dc
- For installations according to Canadian National Standard C22.2 No. 14-13 (cUL Mark only) and supply voltages above 400V:
 - Transient surge suppression devices shall be installed on the line side of this equipment and shall be rated 240 V (phase to ground), 415 V (phase to phase), suitable for overvoltage category III, and shall provide protection for a rated impulse withstand voltage peak of 4 kV
 - Transient surge suppression devices shall be installed on the line side of this equipment and shall be rated 277 V (phase to ground), 480 V (phase to phase), suitable for overvoltage category III, and shall provide protection for a rated impulse withstand voltage peak of 4 kV

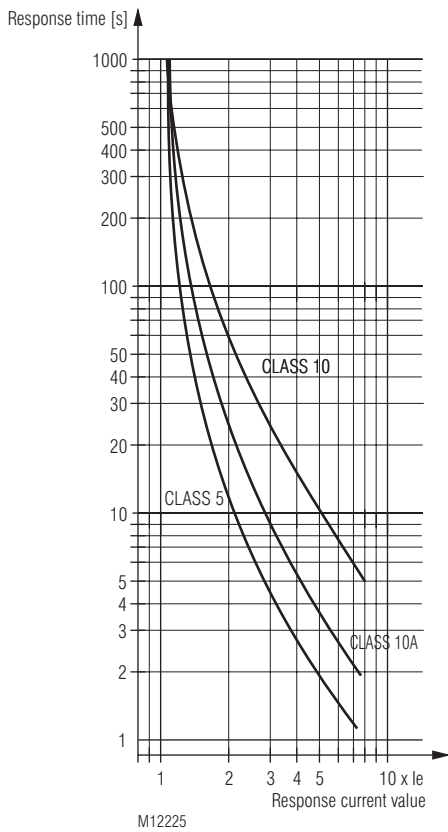


Technical data that is not stated in the UL-Data, can be found in the technical data section.

Characteristics



Derating curve:
 Rated continuous current depending on ambient temperature and distance
 Enclosure without ventilation slots



Variant / __ 1:
 Trigger characteristics
 Motor overload protection

Class 10 for UG 9256.11/001 2A only

Standard Types

UG 9256.11/010/61 3 AC 200 ... 480 V 9.0 A 1 ... 10 s

- Article number: 0064445
- Nominal voltage: 3 AC 200 ... 480 V
 - Nominal current: 9.0 A
 - Ramp time: 1 ... 10 s
 - Control input R, L
 - With softstart
 - Without mains isolating
 - With overcurrent protection
 - Width: 22.5 mm

UG 9256.11/101 3 AC 200 ... 480 V 2.0 A 1 ... 10 s

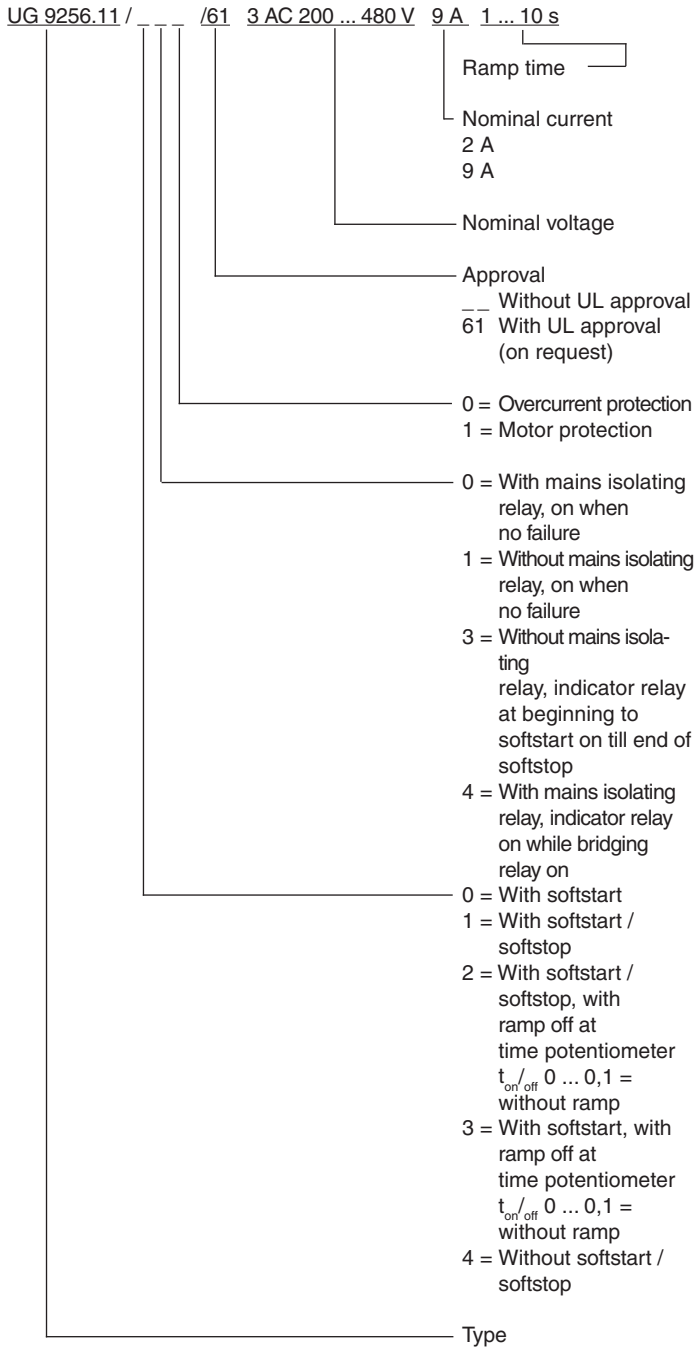
- Article number: 0068040
- Nominal voltage: 3 AC 200 ... 480 V
 - Nominal current: 2.0 A
 - Ramp time: 1 ... 10 s
 - Control input R, L
 - With softstart / softstop
 - With mains isolating
 - With motor protection
 - Width: 22.5 mm

Available Variantes

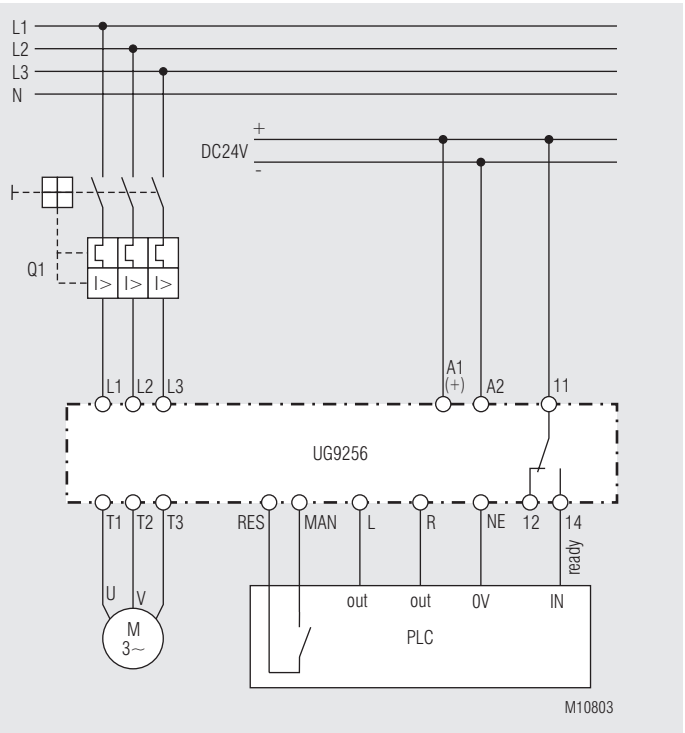
UG 9256.11/61	3AC 200 ... 480 V	9 A	1 ... 10 s	0063850
UG 9256.11/001/61	3AC 200 ... 480 V	9 A	1 ... 10 s	0065668
UG 9256.11/010/61	3AC 200 ... 480 V	9 A	1 ... 10 s	0064445
UG 9256.11/011/61	3AC 200 ... 480 V	9 A	1 ... 10 s	0066274
UG 9256.11/100/61	3AC 200 ... 480 V	9 A	1 ... 10 s	0063851
UG 9256.11/101/61	3AC 200 ... 480 V	9 A	1 ... 10 s	0065669
UG 9256.11/110/61	3AC 200 ... 480 V	9 A	1 ... 10 s	0064446
UG 9256.11/111/61	3AC 200 ... 480 V	9 A	1 ... 10 s	0067440
UG 9256.11/140/61	3AC 200 ... 480 V	9 A	1 ... 10 s	0067173
UG 9256.11/200/61	3AC 200 ... 480 V	9 A	0 ... 1 s	0065863
UG 9256.11/201/61	3AC 200 ... 480 V	9 A	0 ... 1 s	0066613
UG 9256.11/210/61	3AC 200 ... 480 V	9 A	0 ... 1 s	0068267
UG 9256.11/231/61	3AC 200 ... 480 V	9 A	0 ... 1 s	0067142
UG 9256.11/311/61	3AC 200 ... 480 V	9 A	0 ... 1 s	0066327
UG 9256.11/411/61	3AC 200 ... 480 V	9 A		0067141
UG 9256.11/001	3AC 200 ... 480 V	2 A	1 ... 10 s	0068685
UG 9256.11/010	3AC 200 ... 480 V	2 A	1 ... 10 s	0068210
UG 9256.11/101	3AC 200 ... 480 V	2 A	1 ... 10 s	0068040
UG 9256.11/411	3AC 200 ... 480 V	2 A		0067445

Further variants on request

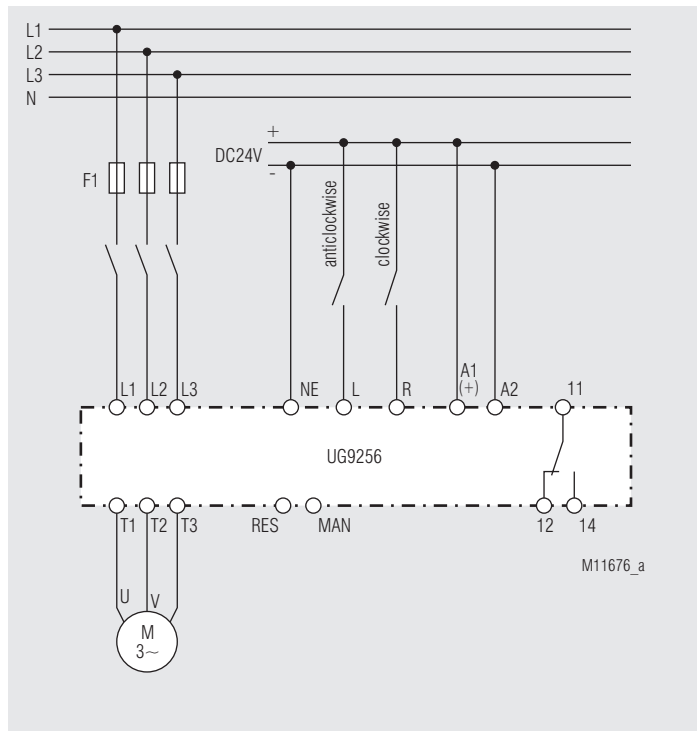
Version Key



Application Example



Motor control with UG 9256 and PLC



Motor control with UG 9256 and switch