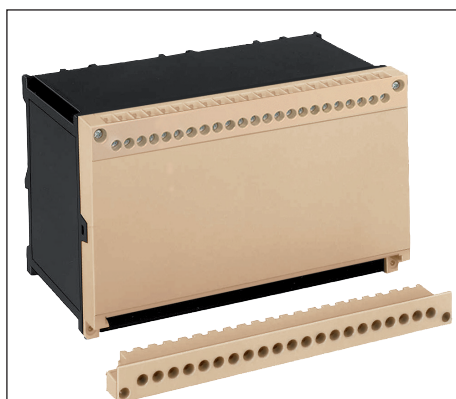
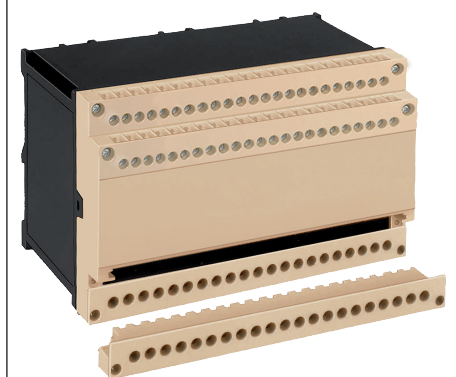


Insulated Enclosure KO 4722

with flat terminals
for plug-in technology

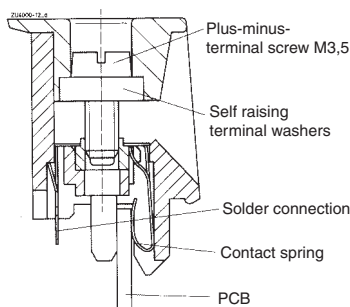


KO 4722.118.42.01.001



KO 4722.138.84.02.001

- Width 200 mm
- Optionally max. 42 or 84 terminal washers with high torque, captive plus-minus-terminal screws
- With removable, mixed up terminal strip for plug-in connection with PCB
- Optionally with Blanking strips ET 4720-37.1
- Spacer for PCB coding
- Mounting of SMD components possible on soldering side
- PCBs are easy to install because of guideing ribs



Flat terminal for plug-in technology

Technical Data

Order references:

Front colour	beige	light grey RAL 7035	blue RAL 5015	Enclosure variant with
KO 4722.118.42.01	.001	.011	.012	front plate
KO 4722.118.84.02	.001	.005	.006	front plate

Outer dimensions:

KO 4722.118.42.01.001: 200 x 123.2 x 118.2 mm
 KO 4722.118.84.02.001: 200 x 123.2 x 137.5 mm

Enclosure material: PC-GF, base black, front colour see table

Temperature stability:	
complying with UL 746 B:	125 °C
complying with Vicat	
ISO 306 Meth. B:	148 °C
compl.with ISO 75-2 Meth. A:	138 °C
Meth. B:	144 °C

Max. permitted power dissipation: 55 W for stand-alone enclosure at normal climate 23/50-1 ISO 554

Specific thermal resistance: $R_{th} = 2 \text{ K} / \text{W}$ for stand-alone enclosure

Flame retardancy:
 complying with UL 94: V-0; Plate clear = V-2
 complying with IEC 60 707: BH 2-30

Number of terminals:

KO 4722.118.42: 42; < 42 on request
 KO 4722.118.84: 84; < 84 on request

Terminal material: CuSn6 tin-plated

Max. cross section for connection: 2 x 1.5 mm² stranded ferruled DIN 46 228-1/-2/-3/-4
 2 x 2.5 mm² solid

Insulation of wires length: 10 mm

Max. contact resistance to printed circuit board: 10 mΩ } $\cong 1 \text{ W} / \text{terminal power dissipation}$
 Max. current carrying capacity: 10 A }

Wire fastening: captive plus-minus terminal screws M3.5 with self raising terminal washers, terminal strip can be removable separately

Torque: max. 0.8 Nm

Inner connection: Direct connection on PCB, solder connection possible

Enclosure fastener:

- 1) Snap-on fastener on top hat rail EN 50 022
- 2) Screw fixing M4, grid 130 x 130 mm

Creepage current resistance: CTI 175 \cong insulated material III a IEC 60 664-1

Air gap and creepage distance: $\geq 4 \text{ mm}$ IEC 60 664-1

Type of protection: Enclosure IP 40 IEC 60 529
 Terminals IP 20 IEC 60 529
 contact protection complies with VGB 4

Print area:

KO 4722.118.42: 83 x 200 mm (on front plate)
 KO 4722.118.84: 43 x 200 mm (on front plate)

Printed circuit board: see printed circuit design

Printed circuit board holder: Guide ribs on the small side and on the enclosure bottom for 5 PCBs

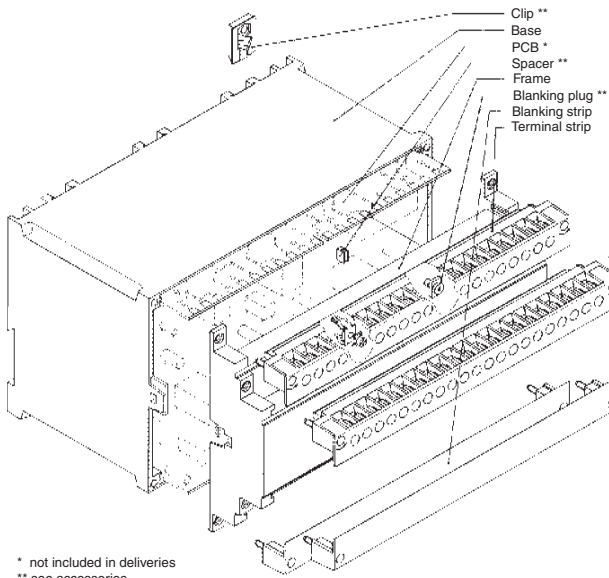
Net weight:

with 42 terminals: approx. 540 g
 with 84 terminals: approx. 710 g

Accessories:

ET 4072-1-2: Clip for screw fixing
 ET 4720-0-60: Spacer for PCB coding
 ET 4720-37.1: Blanking strip beige
 ET 4720-37.2: Blanking strip grey
 ET 4720-37.3: Blanking strip blue

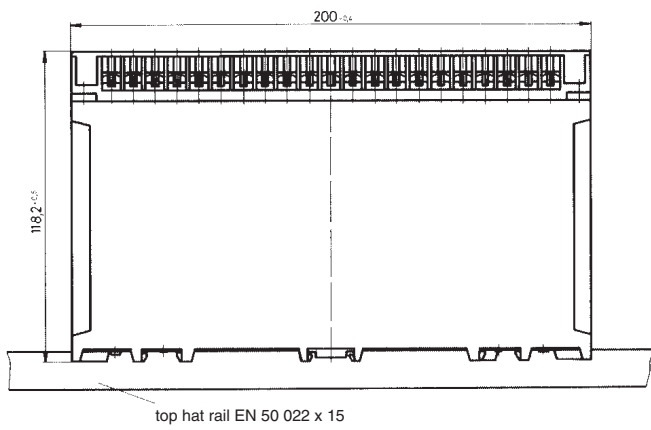
Exploded view



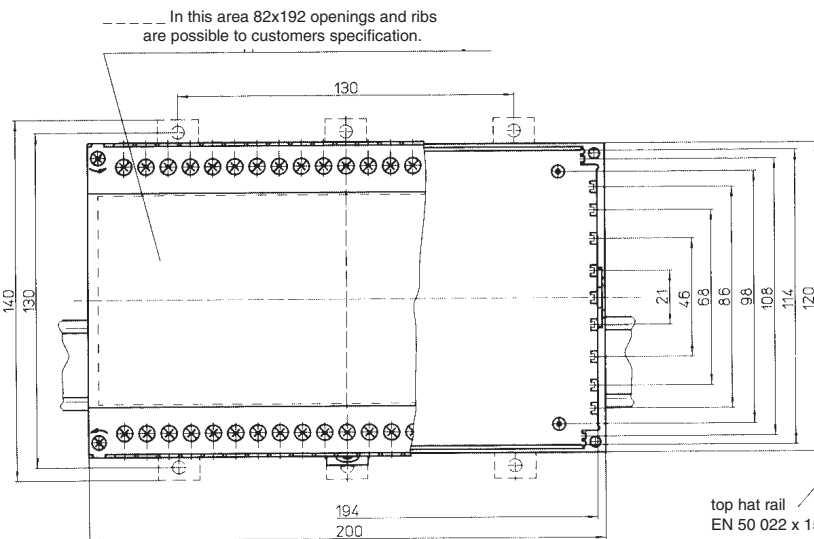
* not included in deliveries
 ** see accessories

KO 4722 with 84 terminals

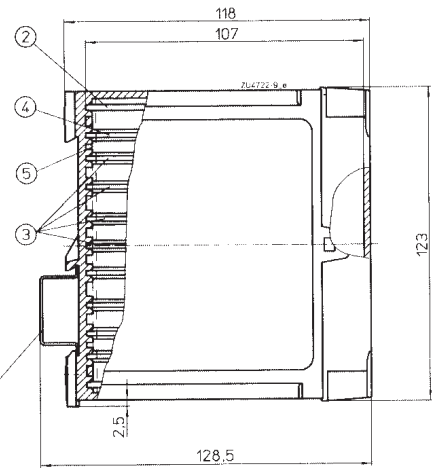
Dimensions for KO 4722.118



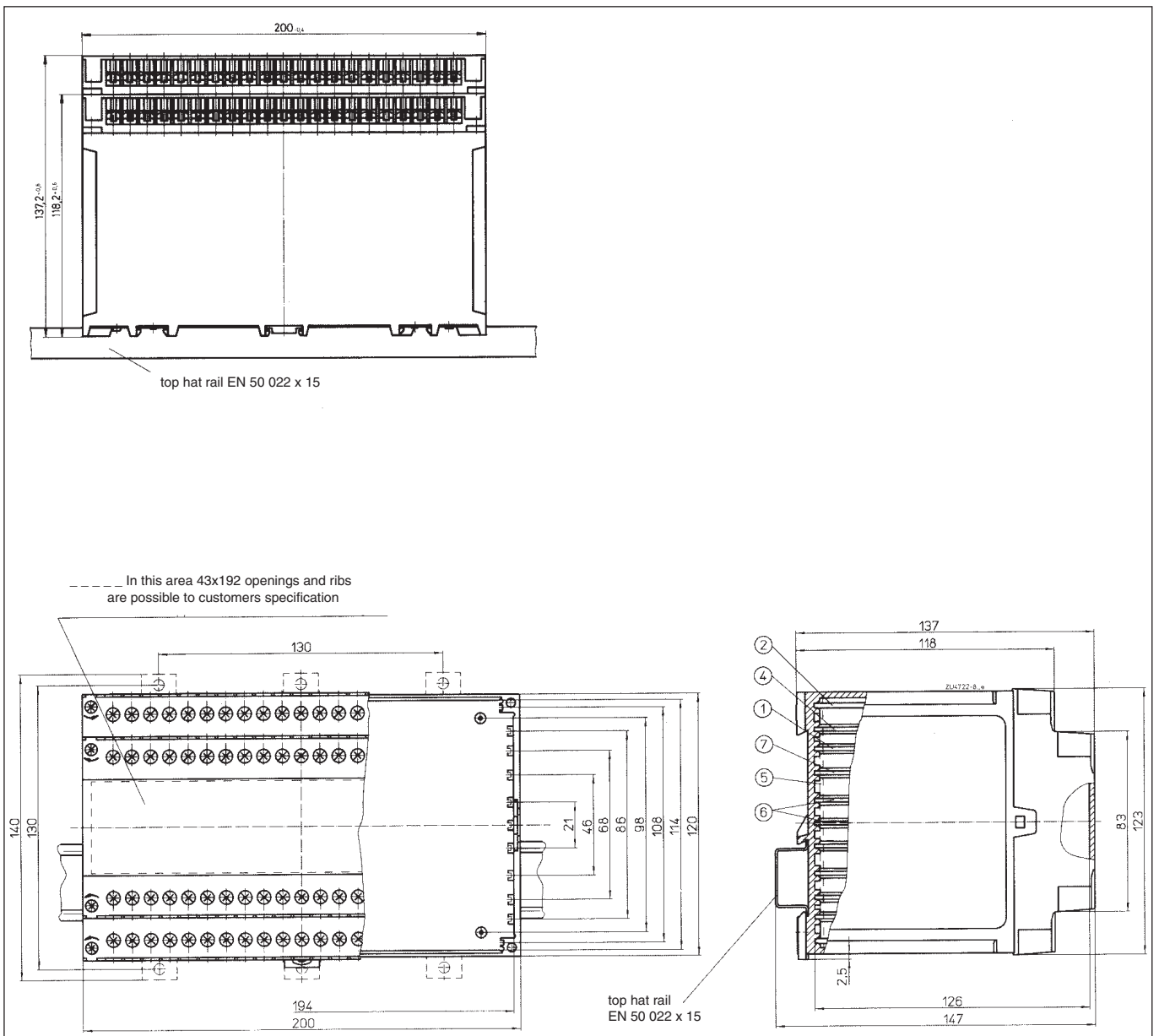
top hat rail EN 50 022 x 15



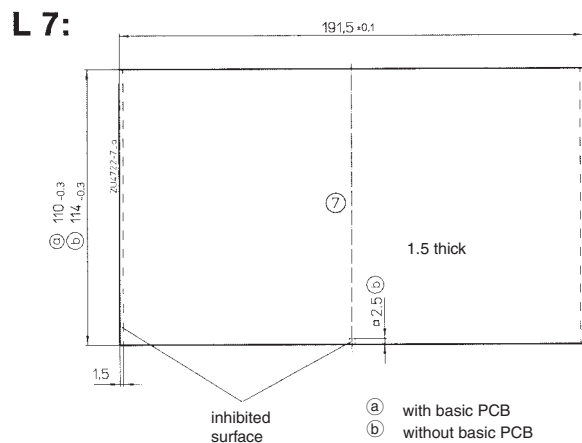
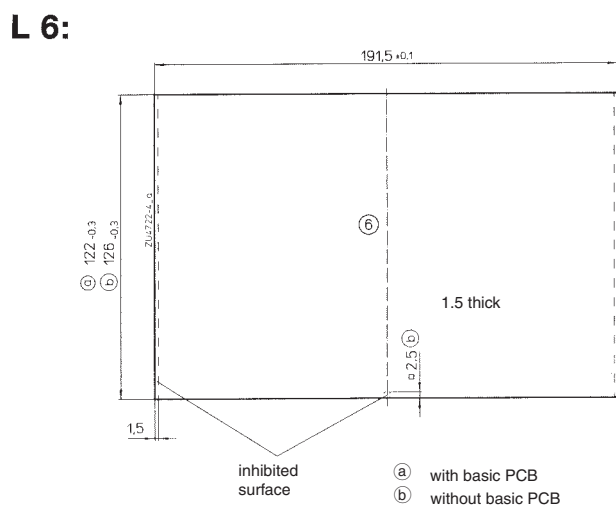
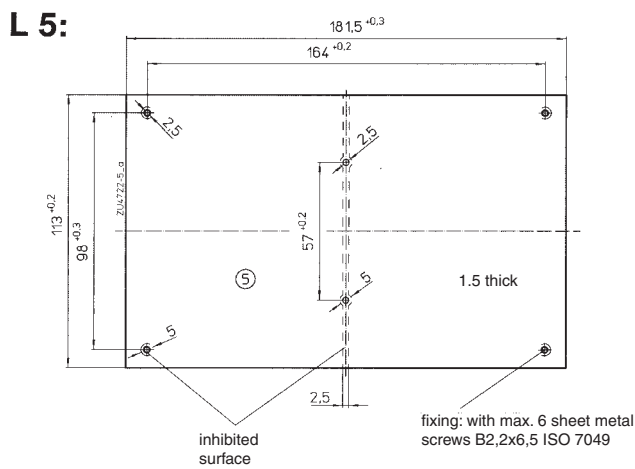
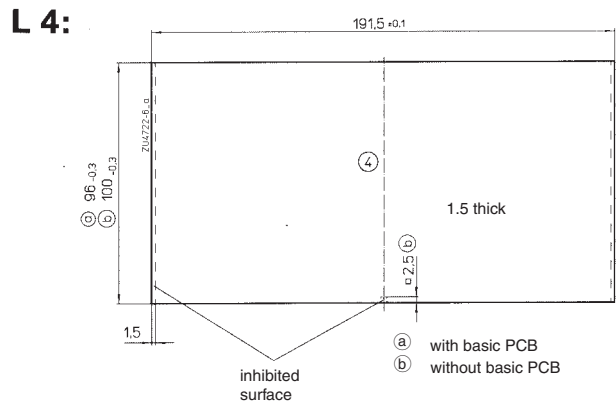
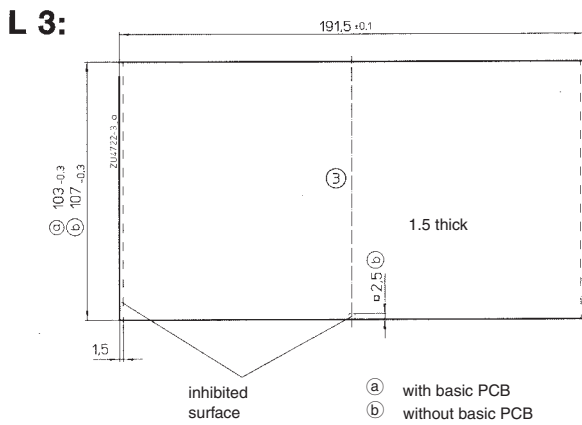
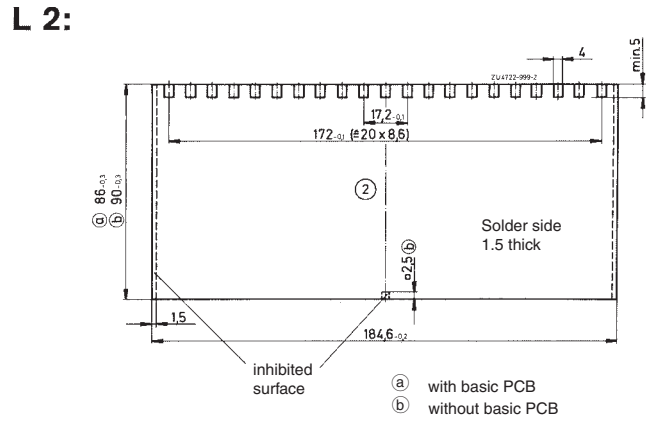
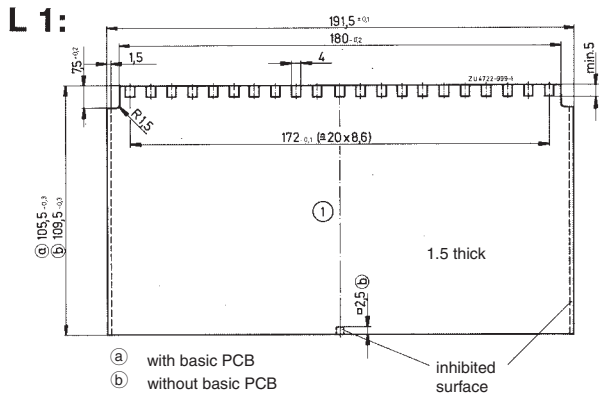
top hat rail
 EN 50 022 x 15



Dimensions for KO 4722.138



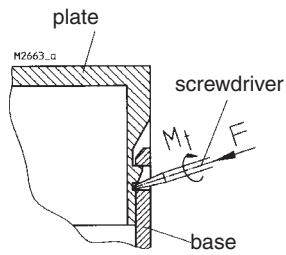
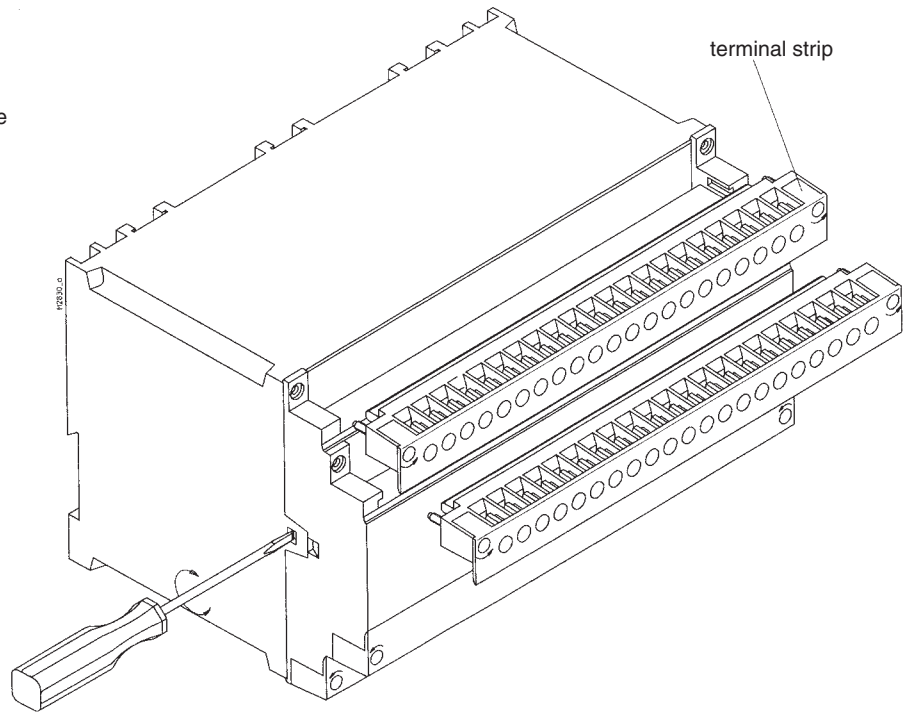
Printed circuit board designs



Tolerance complying with IEC 60 249-2-4

Enclosure for plug-in technology

To remove the front plate first unscrew the terminal strips fixing screws and lift off the terminal strips.



To remove front-frame insert an 0.8 x 4.0 or 0.8 x 4.5 screwdriver into the side recess, on the hood, and turn lightly to the left or right until the snap-in lug disengages. Repeat in the opposite side.

