



POWERSWITCH

DOLD

Solid-state relay / contactor PI 9260 - Reliable and noiseless switching

With the new **solid-state relay PI 9260**, the **POWERSWITCH** family from DOLD has been supplemented by a further attractive electronic switching device. The solid-state contactor has been specially developed for switching resistive and inductive three-phase loads and therefore serves as an electronic contactor replacement. Both 2- and 3-phase controlled versions are available. The DCB technology (Direct-Copper-Bonding) ensures optimum heat transfer, which allows switching of large load currents and at the same time ensures high reliability and robustness.

The PI 9260 is characterized by a wear-free and noiseless switching of currents up to 60 A. The long service life of the PI 9260 ensures high reliability and robustness. The long service life saves you costly and time-consuming replacement of the device. The device can be mounted on existing cooling surfaces. Optionally, the solid-state contactor PI 9260 is also available with a correspondingly pre-dimensioned heat sink, which enables quick and easy commissioning.

Due to the short reaction time, high peak current compatibility and high EMC resistance, this shock- and vibration-resistant solid-state relay is predestined for many applications. These include, for example, heating and cooling systems, process controls, plastic injection machines, motor valves and many other applications.

Advantages and customer benefits

- ▶ Immediately ready for use - thanks to optimally adapted heat sinks
- ▶ Long service life ensures high system availability
- ▶ Low interference emission, immune to interference radiation
- ▶ Noiseless and wear-free switching - even at high switching frequencies
- ▶ Shock and vibration resistant
- ▶ Easy integration into existing automation systems
- ▶ Wide voltage range for control and load voltage



Our experience. Your safety.

Solid-state relay / contactor PI 9260

Technical features

- ▶ 3-phase AC solid-state relay / contactor
- ▶ According to IEC/EN 60947-4-3
- ▶ Zero voltage switching or instantaneous switching
- ▶ 2 antiparallel thyristors at each pole
- ▶ DCB (Direct-Copper-Bonding) technology for optimum heat transfer properties
- ▶ Load current up to 60 A
- ▶ Peak reverse voltage up to AC 1600 Vp
- ▶ Control voltages up to AC 230 V
- ▶ Wide AC and DC input control range
- ▶ LED status indicators
- ▶ Optionally with heat sink, snaps onto top-hat rail
- ▶ Box terminals with self-lifting wire protection for control and load circuit
- ▶ Protection class IP20
- ▶ Width 67.5 mm



Solid-state contactor
PI 9260

Order information

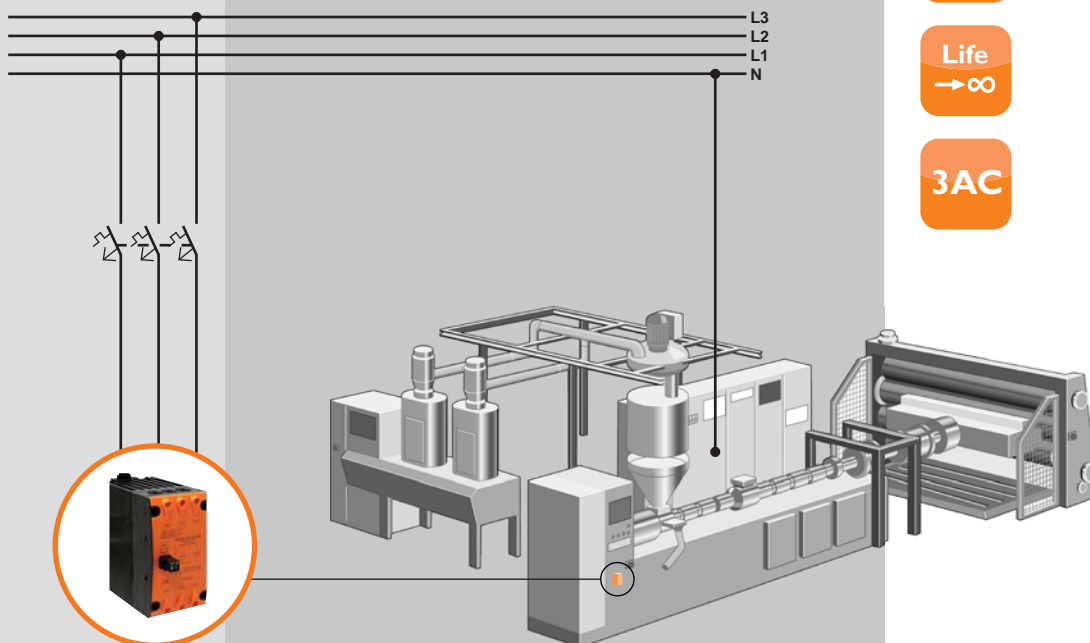
Standard type: PI 9260.92/000/06 (incl. heat sink)
AC 48 ... 480V 2 x 30 A DC 10 ... 32V
Item Number: 0067462

Fields of application

- ▶ Rubber and plastics industry
- ▶ Food and beverage industry
- ▶ Heating, cooling and air-conditioning technology
- ▶ Packaging industry
- ▶ Semiconductor industry

Application example

In extrusion machines it is important to have constant process temperatures. This is the only way to ensure that the extruded parts have a constant quality. This is why solid-state relays are used to switch the heating elements. In contrast to mechanical contactors, these allow fast switching of the heating elements. Thus the temperature is regulated very precisely. Solid-state relays can withstand this operation over the entire service life of the machine because they are not subject to any wear.



0 dB

f >

0°C

Life
→ ∞

3AC

Further information

PI 9260

Start

Do you need a **solid state relay** with **additional load monitoring**?

PH 9270

www.dold.com

DOLD

E. DOLD & SÖHNE KG
P.O. Box 1251 • 78114 Furtwangen • Germany
Tel. +49 7723 6540 • Fax +49 7723 654356
dold-relays@dold.com • www.dold.com